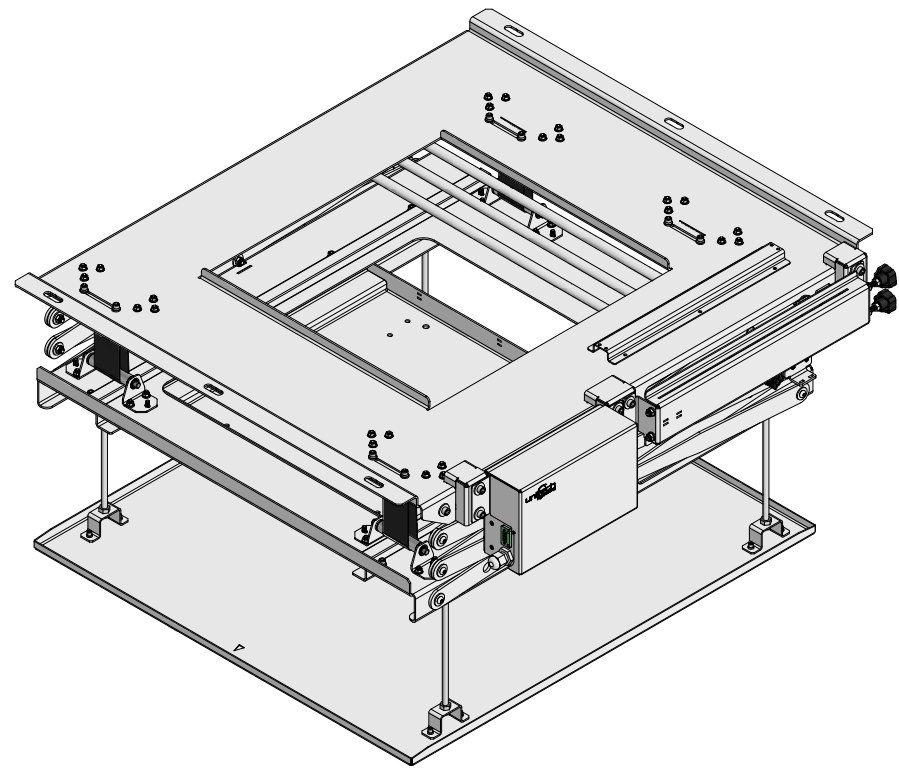
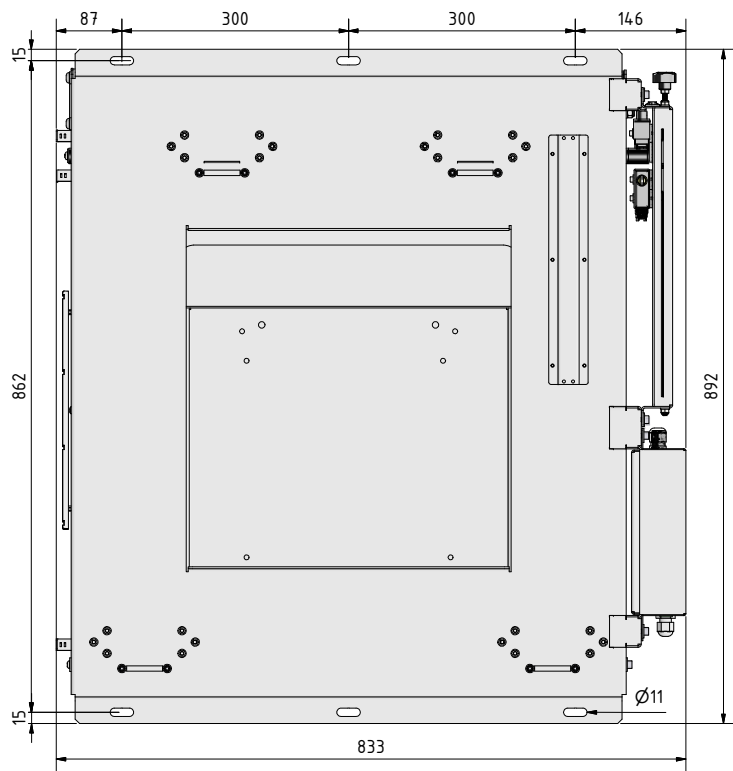
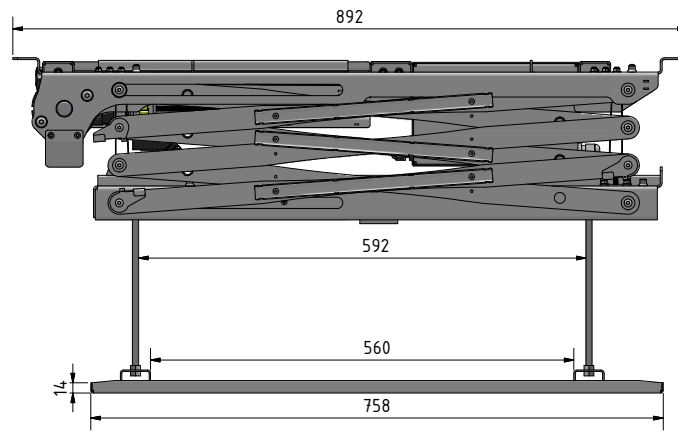
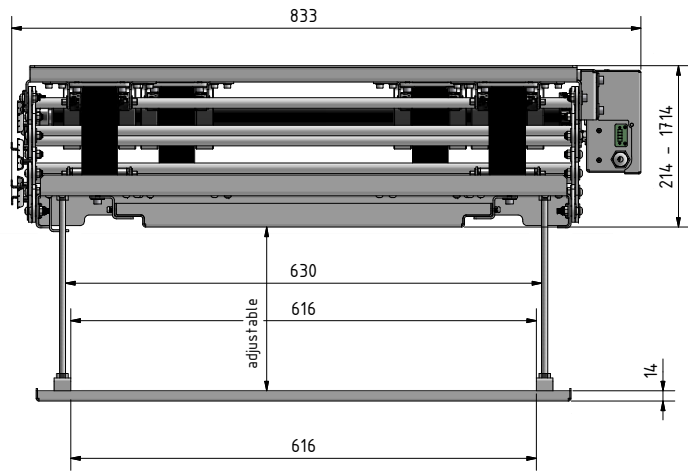


PLCV7.1-1500



CATEGORY	PROJECTOR CEILING LIFTS	DRAWING TYPE	
MODEL	PLCV7.1-1500	DRAFT	FINAL
FEATURES	MAXIMUM LOAD CAPACITY 50kg, NET VERTICAL MOTION 1500mm, ADJUSTABLE PROJECTION POSITION BELOW 500mm, ADJUSTABLE UP-CLOSED POSITION, FIXED SERVICE POSITION AT 1500mm, DETACHABLE DRY CONTACTS CONTROL BOX (CONNECTION CABLE MAX. LENGTH 1,5m)		x
COLOUR	BLACK RAL9005	DIMENSIONS TOLERANCE	
DRAWING No	12052019-SK	+/-0,5%	
APPROVED BY:			

ALL RIGHTS STRICTLY RESERVED. REPRODUCTION OR ISSUE TO THIRD PARTIES IN ANY FORM WHATSOEVER, IS NOT PERMITTED WITHOUT WRITTEN AUTHORITY FROM UNITECH SYSTEMS.

