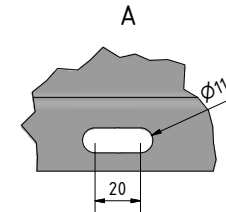
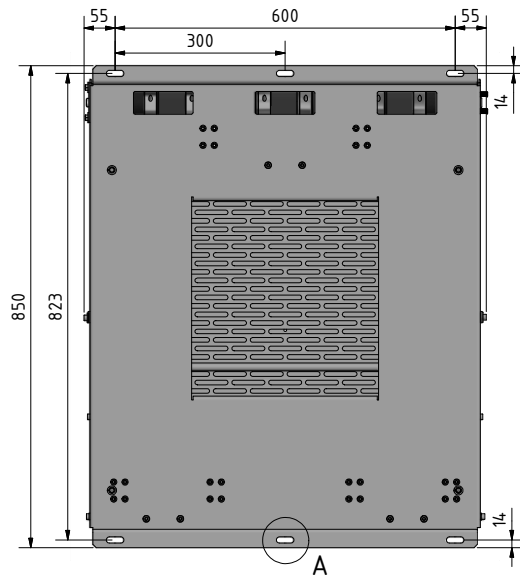
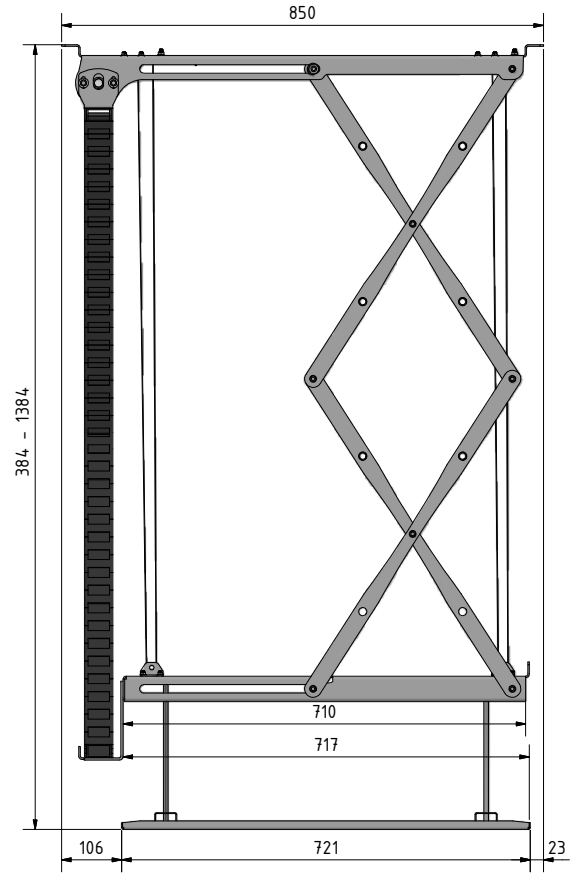
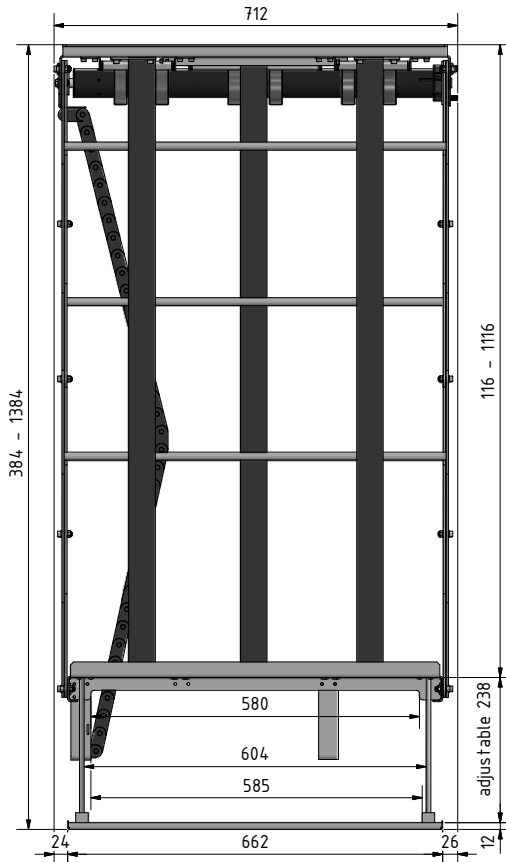
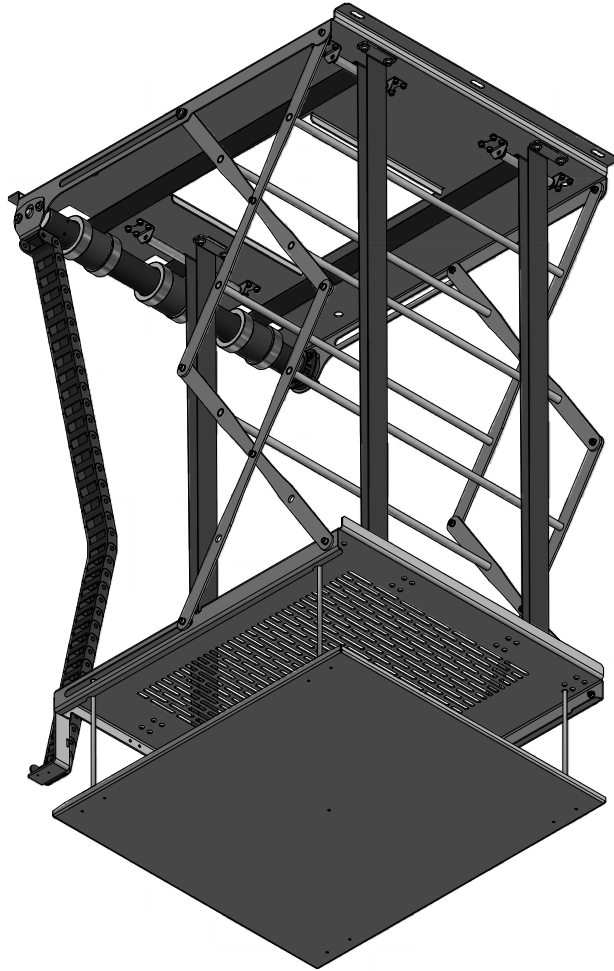


Projector Ceiling Lift

Model: PLCV5.4+XD500
 Max Projection Dimensions: 580 x Adjustable x 707mm
 Max Load: 35kg (Projector & Cover)
 Standard Lifting Distance: 1000mm
 Lift Weight: ~ 44kg
 Cable Management: Yes
 Standard Color: Powder Coating in RAL9005 black buff

Optional

Upper Support Frame
 Other RAL Colors for metallic parts
 RF Remote Control set with circular dry contacts control option
 RS232 external control box



CATEGORY	PROJECTOR CEILING LIFT	DRAWING TYPE	
MODEL	PLCV5.4+XD500	DRAFT	FINAL
FEATURE A	NET VERTICAL MOTION UP TO 1000mm, MAX.LOAD 35kg		X
FEATURE B	POWDER COATING IN RAL9005 BLACK BUFF	REVERSION	DATE
DRAWING No	V1.1.21062022-CA	NO	



ALL RIGHTS STRICTLY RESERVED. REPRODUCTION OR ISSUE TO THIRD PARTIES IN ANY FORM WHATSOEVER, IS NOT PERMITTED WITHOUT WRITTEN AUTHORITY FROM UNITECH SYSTEMS.