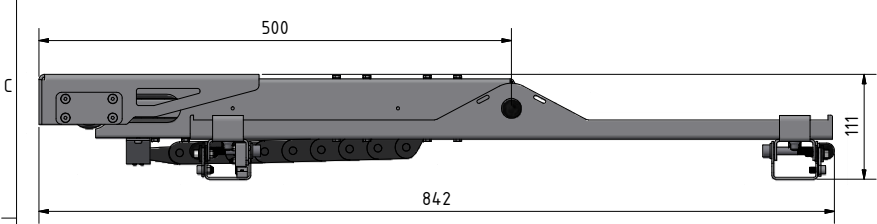
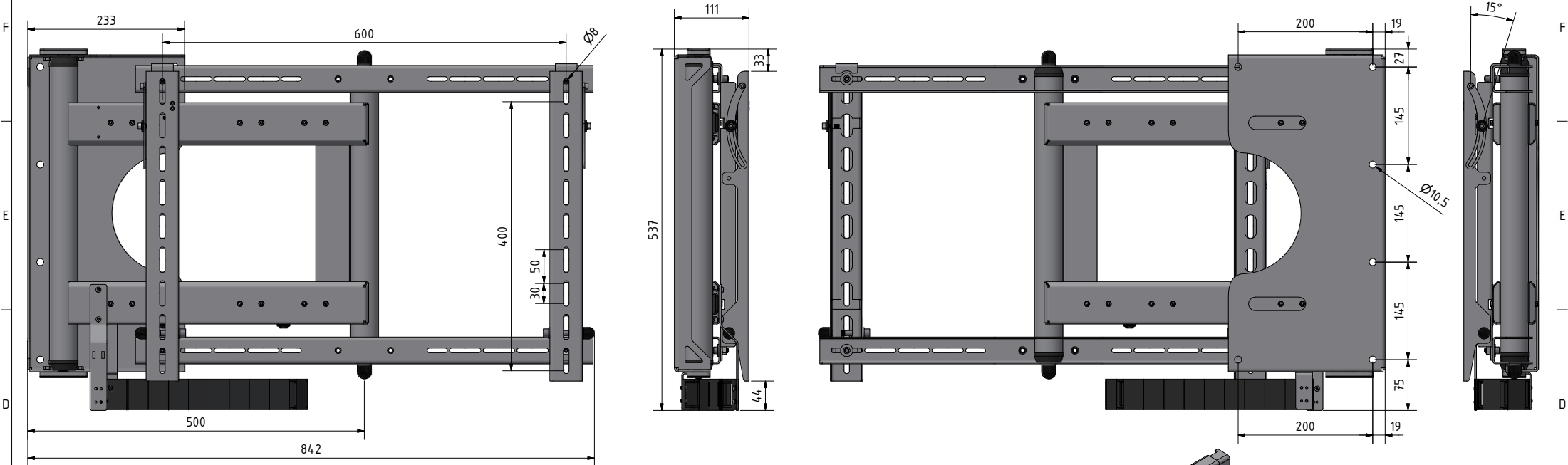


FPWMRT V1.4-400



CATEGORY	FLAT PANEL WALL MOUNT	DRAWING TYPE	
MODEL	FPWMRT V1.4-400	DRAFT	FINAL
FEATURE A	Swive by 165degrees and rotation by 180degrees in both directions. Maximum load capacity 50kg		X
FEATURE B	Manual extension from wall up to 958mm	REVERSION	DATE
DRAWING REF.	31052023-SK	NO	



ALL RIGHTS STRICTLY RESERVED. REPRODUCTION OR ISSUE TO THIRD PARTIES IN ANY FORM WHATSOEVER, IS NOT PERMITTED WITHOUT WRITTEN AUTHORITY FROM UNITECH SYSTEMS.