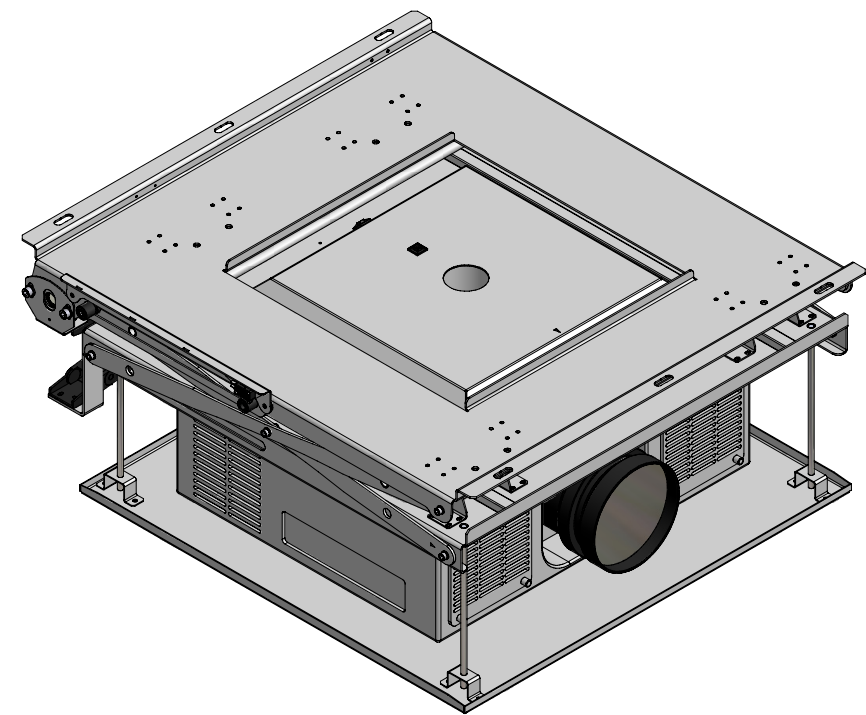
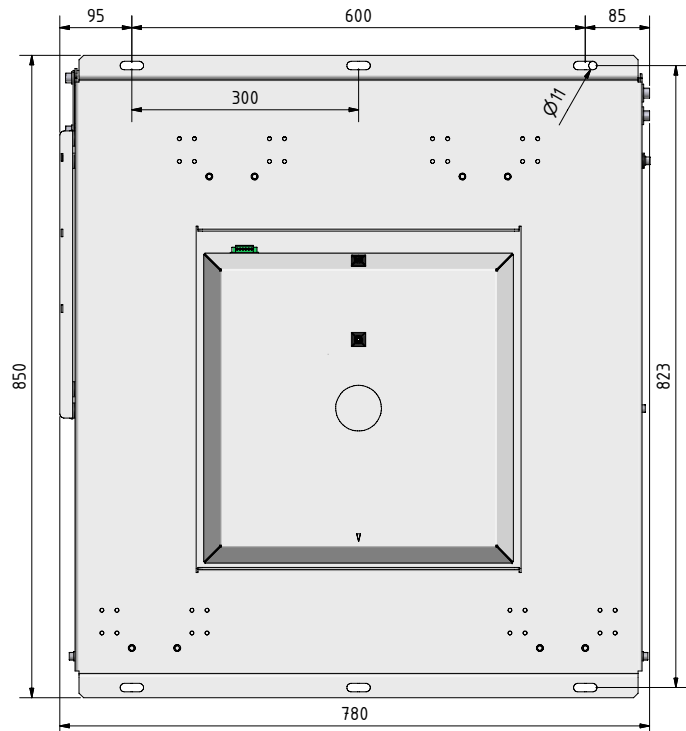


TECHNICAL SPECIFICATIONS	
Lift height	165mm+projector height
maximum load capacity	30kg
rotation ability	one way up to 270degrees
vertical drop net distance	480mm
dedicated to projector model	EPSON EB-L1100U



CATEGORY	PROJECTOR CEILING LIFT	DRAWING TYPE	
MODEL	PLCV5-500+R	DRAFT	FINAL
FEATURE	VERTICAL DROP 480mm, ONE WAY PROJECTOR ROTATION, MAX.LOAD CAPACITY(PROJECTOR+CEILING COVER) 30KG		X
COLOUR	POWDER COATING RAL9005 (BLACK BUFF)	REVERSION	DATE
DRAWING No	V1.1.20032018-SK	NO	



ALL RIGHTS STRICTLY RESERVED. REPRODUCTION OR ISSUE TO THIRD PARTIES IN ANY FORM WHATSOEVER, IS NOT PERMITTED WITHOUT WRITTEN AUTHORITY FROM UNITECH SYSTEMS.